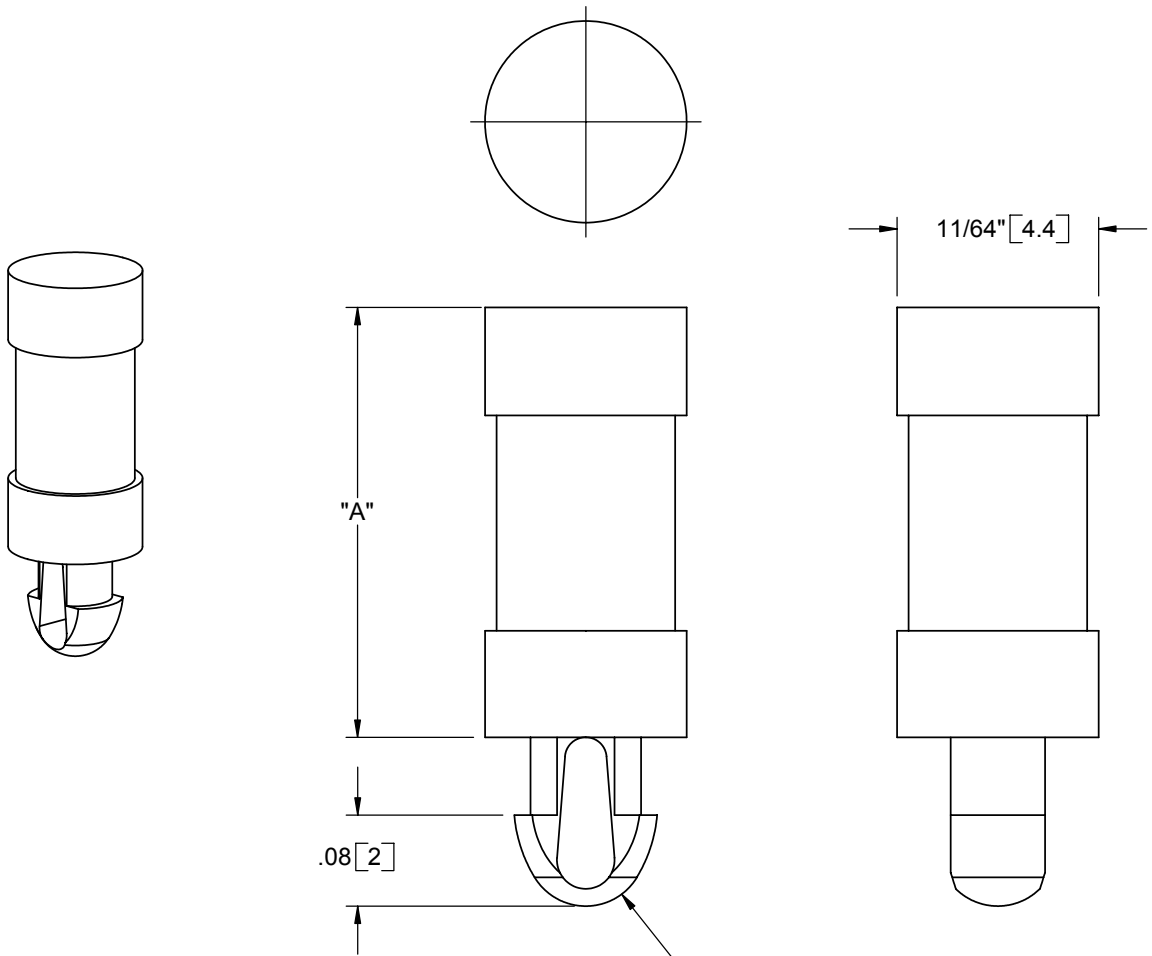


PART NO.	DIM. "A"±.015
PST-1-01	1/16 [1.6]
PST-2-01	1/8 [3.2]
PST-3-01	3/16 [4.8]
PST-4-01	1/4 [6.4]
PST-5-01	5/16 [7.9]
PST-6-01	3/8 [9.5]
PST-7-01	7/16 [11.1]
PST-8-01	1/2 [12.7]
PST-9-01	9/16 [14.3]
PST-10-01	5/8 [15.9]



NOTES:  
 1. MATERIAL: NYLON 6/6 UL 94 V-2 (RMS-01).  
 FLAME RETARDANT NYLON 6/6 UL 94 V-0 (RMS-19),  
 AVAILABLE BY SPECIAL ORDER ONLY.  
 2. COLOR: NATURAL.

TO SNAP-LOCK IN A .100±.002 [2.54±0.05] DIA. HOLE,  
 IN A .064 [1.63] MAX THICK BOARD

B REDRAWN FROM ACAD TO SOLIDWORKS, SEE ECN#1062 SK 09/28/05 A CHANGED FILE NO. AND TITLE BLOCK SM 05/04/01 REV. DESCRIPTION ENGR. DATE			TITLE: <b>PUSH SPACER, TEARDROP</b>						DWG IN IN [MM]	
TOLERANCES UNLESS NOTED .XX=±.010 .XXX=±.005 FRAC.=±1/64 ANG.=±1°			FILE #: PST SHEET: 1 OF 1 SHEET SIZE: A		DWN: SK DT: 09/27/05		APP: RT CHKD: RT		FINAL	
			RE: RICHCO, INC.		RICHCO, INC. ENG@RICHCO-INC.COM (773) 539-4060		PART # <b>SEE TABLE</b>		PRINT TYPE <b>CA</b>	